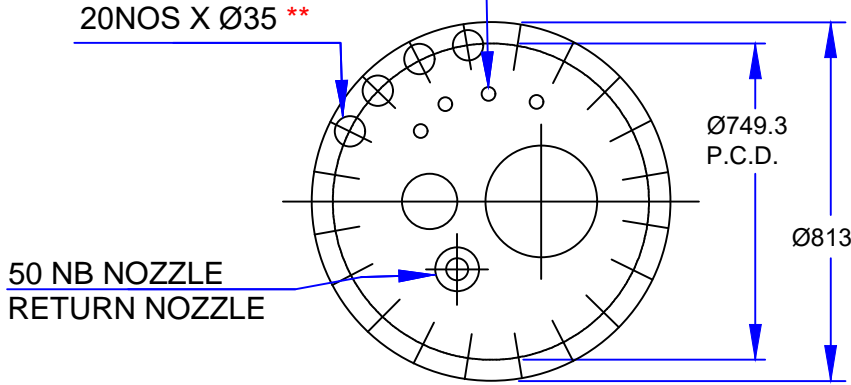
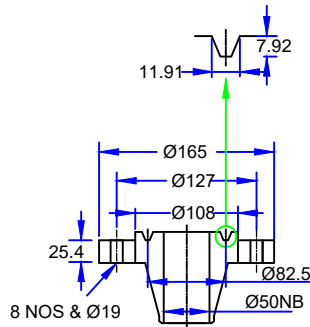


4NOS X 1" BSP NOZZLE
FOR INSTRUMENTATION (SIZE & ORIENTATION TO BE
PROVIDED BY CLIENT) **

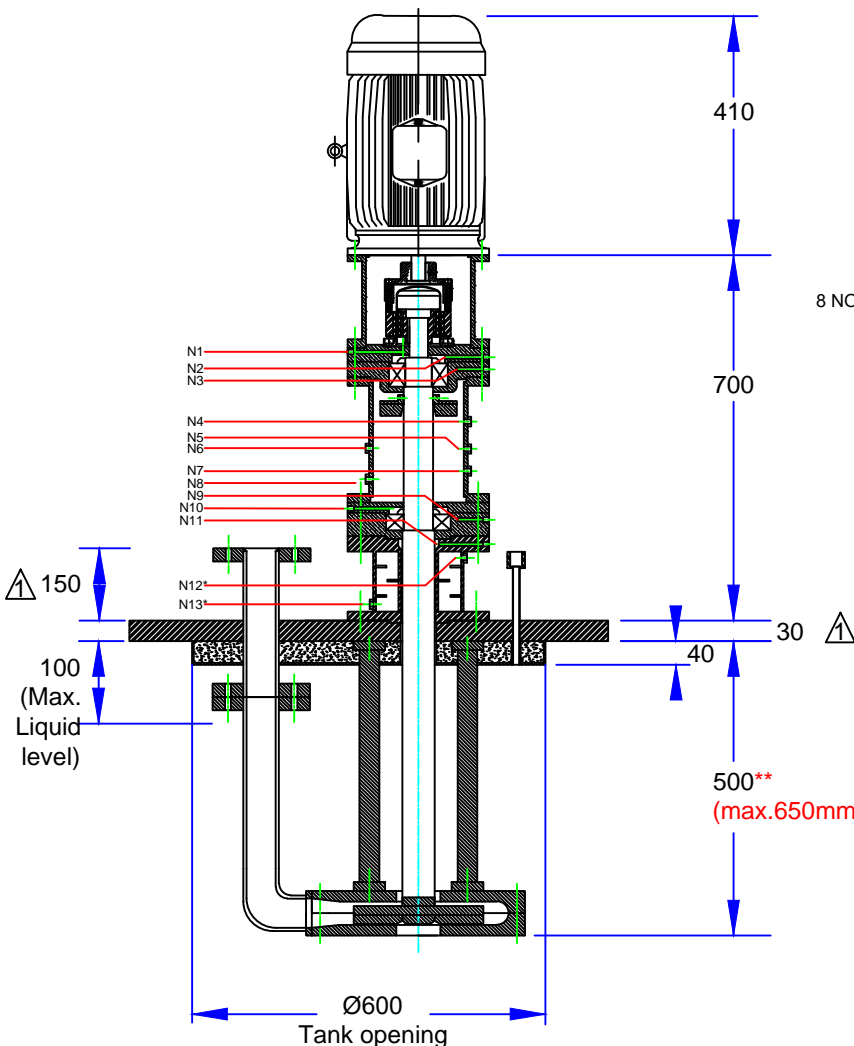


MOUNTING PLATE

RTJ RING NO. 23
RTJ DIST. BETWEEN FLANGES = 5mm



DISCHARGE FLNG.
AS PER ASA 600# RTJ



COUPLING DETAILS :	
TYPE	MAGNETIC
TYPE / SIZE	SB-110/16
CAPACITY	40Nm

MOTOR DETAILS :	
TYPE	NFLP, IE3
KW/ HP	5.5/7.5
RPM	1500
FRAME	132M
MAKE	SIEMENS/ABB

SCOPE OF SUPPLY :	AURO	CLIENT
BARE PUMP	√	-
COUPLING	√	-
MOTOR	√	-
PRESSURE VALVE	√	-
MAGNETIC SEAL	√	-
MOUNTING PLATE	√	-
TEMP. SENSOR	-	√
PRESSURE SENSOR	-	√
COMPANION FLANGE	-	√
1ST FILL OF LUBE	√	-
COOLING FLUIDS	-	√
MOUNTING PLATE FOUNDATION BOLT	-	√

- N1 - 3/8" BSP
- N2 - 1/4" BSP
- N3 - SIZE TO BE PROVIDED BY CLIENT
- N4 - 1/2" BSP
- N5 - SIZE TO BE PROVIDED BY CLIENT
- N6 - STD AS PER VALVE MANUFACTURER
- N7 - SIZE TO BE PROVIDED BY CLIENT
- N8 - 1/2" BSP
- N9 - SIZE TO BE PROVIDED BY CLIENT
- N10 - 1/4" BSP
- N11 - 3/8" BSP
- N12 - 1/2" BSP
- N13 - 1/2" BSP

N4, N8, N11 - NITROGEN COOLING
* - N12, N13 - WATER COOLING

** - DETAILS TO BE CONFIRMED BY HYME BY 10/01/2022 LATEST

CLIENT: M/S HYME ENERGY APS - COPENHAGEN			
CONSULTANT: ---			
P.O. NO. : 2022-10-01			
PUMP MODEL: ACCV 65 x 50 - 200		M.O.C. : INCONEL 600	
ITEM/TAG NO : LPC-PV-001	H (m) : 14.5 - 1.0	Q (m³/h) : 24 - 6.5	
SCALE : NTS	LIQUID : MOLTEN NaOH	QTY : 02	
DRG.NO : GA-22-77	INDENT NO. : 6083		
DATE : 17/12/2022	REV. NO. : 01		
GA DRAWING FOR ACCV SERIES VERTICAL PUMP			
DRAWN : FAH	16/12/22		
CHECKED : MJD	17/12/22		
APPROVED : JGD	19/12/22		

REV.	REVISION	DRWN	CHKD	DATE
01	CLIENT COMMENTS INCORPORATED	RMZ	MJD	26/12/22