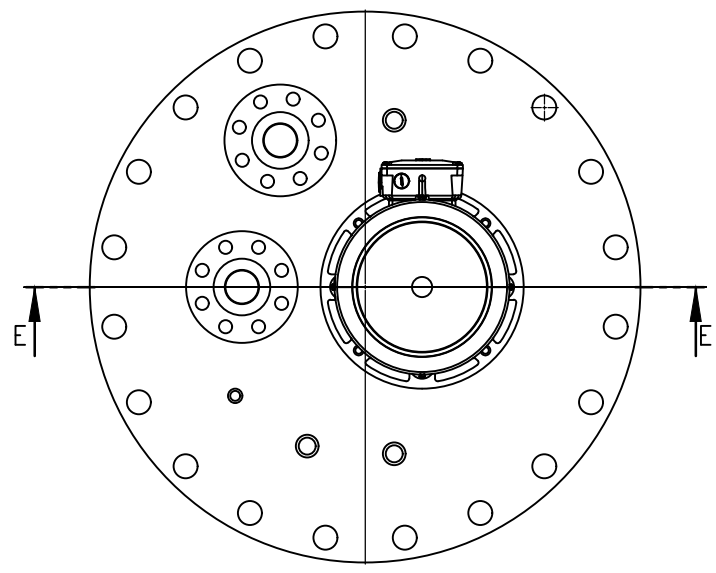
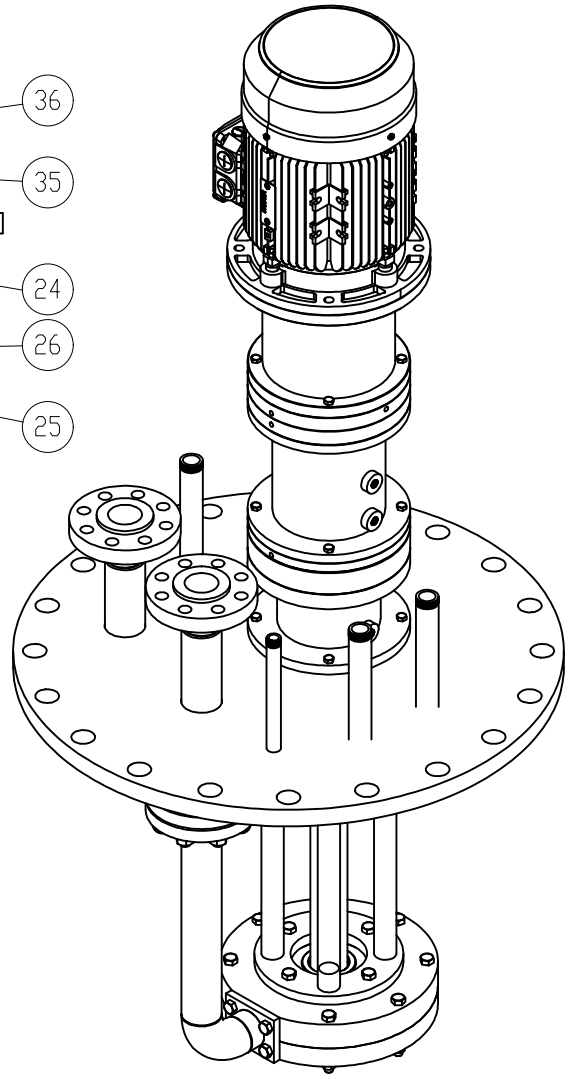
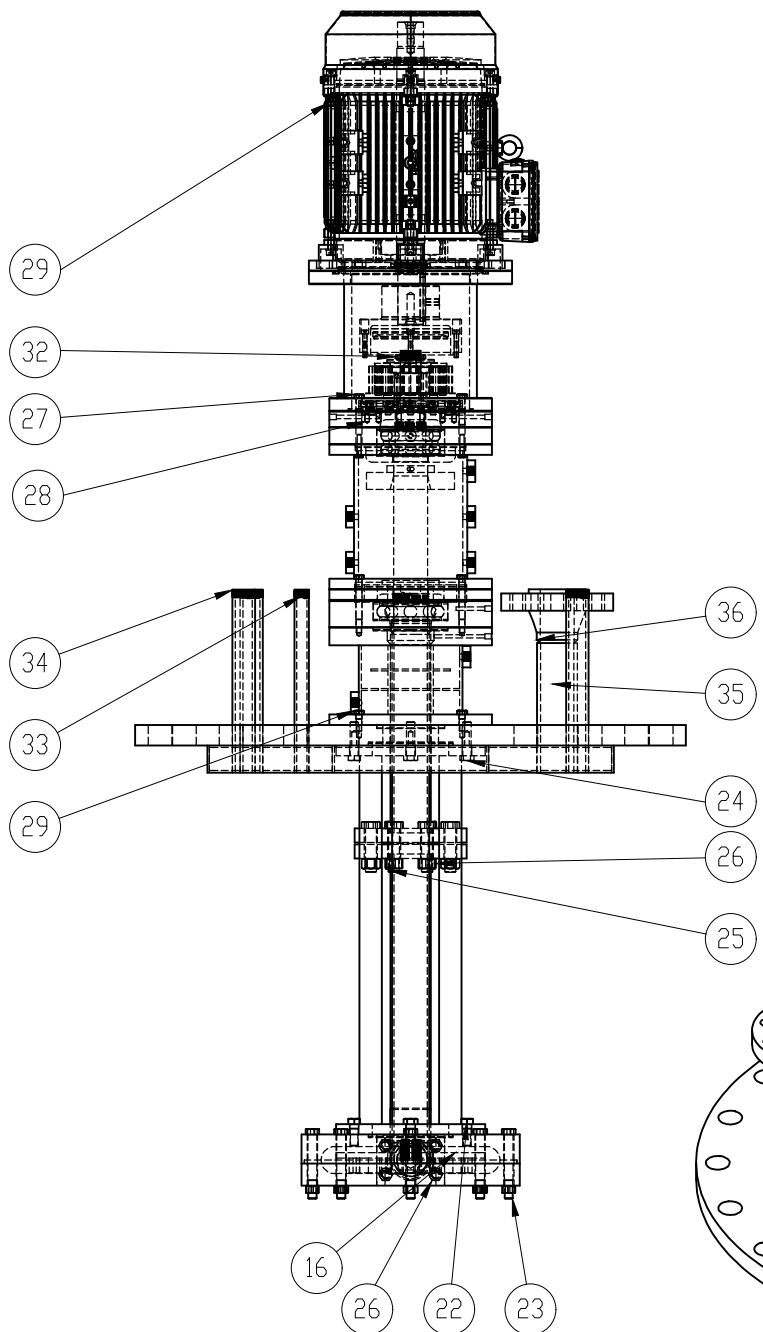


SECTION E-E
SCALE 1 : 8



ITEM NO.	PART NUMBER	QTY.
1	MOUNTING PLATE	1
2	HEAT BARRIER	1
3	COOLING JACKET ASM	1
4	LOWER BEARING HOUSING	1
5	LOWER BEARING COVER	1
6	INTERMEDIATE HOUSING	1
7	UPPER BEARING HOUSING	1
8	UPPER BEARING COVER	1
9	MOTOR STOOL	1
10	COLUMN STRUCTURE	1
11	BOTTOM SHIELD	1
12	LOWER BEARING	1
13	UPPER BEARING	1
14	SHAFT	1
15	MAG DRIVE	1
16	IMPELLER	1
17	LOWER CASING	1
18	UPPER CASING	1
19	DELIVERY PIPE	1
20	CASING - DELE. PIPE FLANGE	1
21	COOLING FAN	1
22	COLUMN - CASING BOLT	8
23	UPPER CASING - LOWER CASING(NUT-BOLT)	7
24	COLUMN - MOUNTING PLATE BOLT	4
25	DELIVERY PIPE NUT-BOLT	8
26	DELIVERY PIPE - CASING BOLT	4
27	MOTOR STOOL- UPPER COVER -BRG HOUSING - INTERMEDIATE BOLT	4
28	ALLEN BOLT FOR UPPER BRG.COVER - MAG DRIVE	12
29	MOTOR	1
30	MAGNETIC COUPLING SLEEVE	1
31	MAGNETIC COUPLING BUSH	1
32	UPPER BRG. LOCK NUT	1
33	N13 NOZZLE 40 SCH PIPE	1
34	N14-N15-N16 NOZZLE 40 SCH PIPE	3
35	N17 NOZZLE 40 SCH PIPE	1
36	WNeck Flange 600-NPS2	1

UNLESS OTHERWISE SPECIFIED: DIMENSIONS ARE IN MILLIMETERS		FINISH:		DEBURR AND BREAK SHARP EDGES		DO NOT SCALE DRAWING		REVISION	
SURFACE FINISH:									
TOLERANCES:									
LINEAR:									
ANGULAR:									
NAME	SIGNATURE	DATE				TITLE: AURD PUMPS PVT LTD FINAL ASSEMBLY HYME			
DRAWN AKS		30.01.23							
CHK'D MJD		30.01.23							
APP'VD JGD		30.01.23							
MFG									
D.A.									
MATERIAL:						DWG NO. 2A/ACCV/65X50-200/6083/00		A2	
WEIGHT:						SCALE:1:10		SHEET 1 OF 1	